

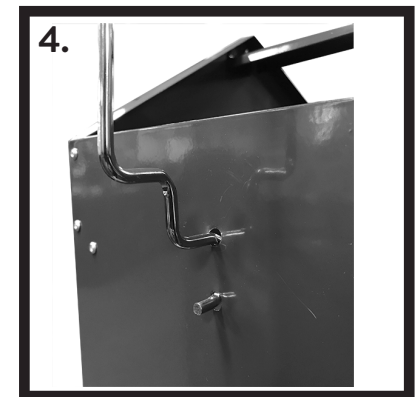
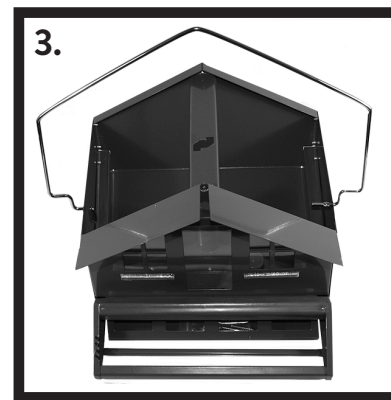
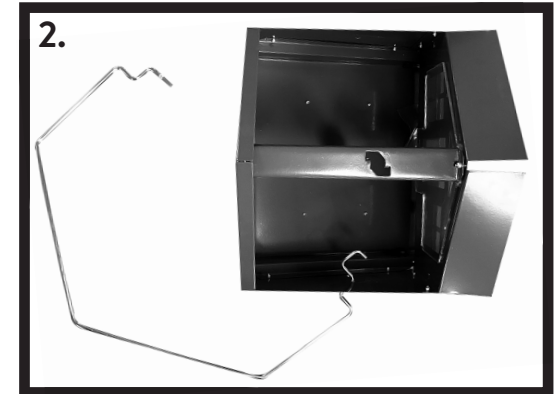
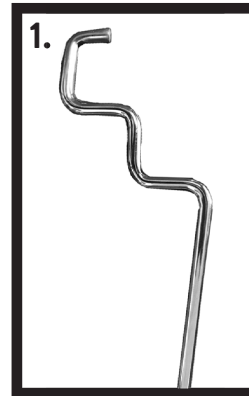


# Home Style Squirrel-Be-Gone II

## Model #339

### To Install Hanger:

1. Remove lid by turning the chimney counter clockwise and lifting up.
2. Insert the hanger end with the 3 bends (Fig. 1) into the left side panel. There are two holes, insert into the upper one. (Fig. 2)
3. Bring the other end of the hanger around the back of the feeder as shown.
4. Place other hanger end into the single hole found on the right side panel. (Fig. 3) Important Note: To insert properly, you will have the hanger in a down position, pointing to the back of the feeder as shown.
5. While pushing the hanger into the hole, lift the hanger into the upright position. You will notice the end of the hanger on the left side panel, springing out from the lower hole as indicated. (Fig. 4) This will lock the hanger in an upright position.

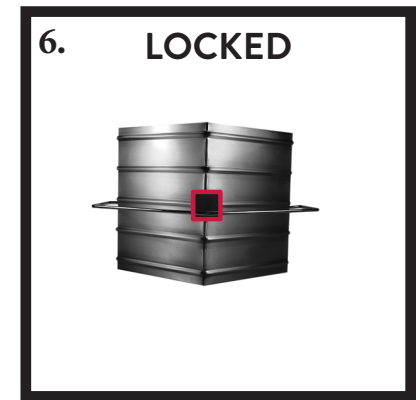
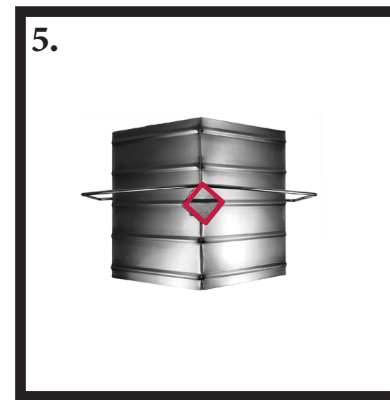




# Home Style Squirrel-Be-Gone II Model #339

## To Replace and Lock Roof:

1. Fill your feeder with your favorite seed mix.
2. Place the roof on the feeder base and position roof chimney as shown (Fig. 5).
3. Gently press down on the chimney so the locking key inserts into the cross beam inside the feeder.
4. While still pressing down, gently turn the chimney clockwise, 3/8 of a turn until tight, **DO NOT FORCE OR DAMAGE MAY RESULT.** Your roof peak should now be locked. (Fig. 6)



## Adjusting your Squirrel Resistant Settings:

Depending on the species and age of squirrels in your area, you will want to experiment with different settings. To increase tension, lower the adjustment pin. To decrease tension, raise the pin to a higher slot position. (Fig.7)

## To Pole Mount or use Post Adapter:

To mount pole: Use standard 3/4" pipe to pole mount your feeder. If you desire to place your feeder on a 4' x 4' wood post, use the included adapter and screws.

To use adapter: Place adapter on the post with downward slant on the adapter pointing in the direction you want your feeder to face. Use the four included screws to attach the bottom and place it on the adapter.

